

THE CHEM-BLADE[®] ES ENCLOSED SYSTEM Closed Transfer System



The **Chem-Blade ES, Enclosed System**, creates huge savings by **handling chemicals faster** than any other system. The **ES** is also much **safer by enclosing the entire process**, keeping the operator isolated from hazardous chemicals. Sprayers can only go so fast for accurate coverage but **gain valuable time by faster mixing and loading**.

***Sprayers can only go so fast
for accurate coverage but
gain valuable time by faster
mixing and loading!***



Spraying has transitioned into a very critical and valuable operation on today's farms. The Chem-Blade ES technology was developed to create great efficiency for these spray operations with the operator's absolute safety in mind.

THE CHEM-BLADE[®] ES ENCLOSED SYSTEM

The **Chem-Blade ES Enclosed System** allows operators to handle their chemicals efficiently, safely and extremely fast! Simply set the jug inside, close the lid and click a button. The **ES** encloses the cutting and rinsing process, isolating the operator from potentially hazardous products. The **Chem-Blade ES** takes the tedious work out of handling heavy bags by quickly processing hazardous or non-toxic products safely in an enclosed or open chamber.

“The Chem-Blade ES is a real game changer for the handling of pesticide chemicals.”



Patent Pending



Features

- ▲ **ES** system accepts 1 to 2.5 gallon jug containers as well as 10 to 50lb dry product bags.
- ▲ Easy loading ergonomic tank height.
- ▲ Tank capacity of 50 gallons.
- ▲ Accurate sight gauge includes indicator o-rings for easier repeat fills.
- ▲ Built for longevity with 1/8" stainless steel tank.
- ▲ **ES** system utilizes top-of-the-line hardware and components, providing you a long-lasting product.
- ▲ Deep cycle AGM marine batteries for extended use in the field.
- ▲ 1 year full warranty Labor/Parts/Service.



Controls

- ▲ Ergonomic keypad with dimmable lights provides main controls.
- ▲ Adjustable rinse time for different viscosity products.
- ▲ Two-hand touch buttons assure safe operation while cutting dry bags with the lid open.
- ▲ Convenient manual valves for Dry Flush and Rinse Wand controls.
- ▲ 220 flange tank ports for bulk transfers.



Air Compressor



- ▲ American made, Jenny air compressors are included for the required air supply.
- ▲ Key-start gasoline engine, or 110/230v A/C motor compressors available.
- ▲ The **ES** air compressor is available integrated onto the ES stand or can be mounted remotely.*

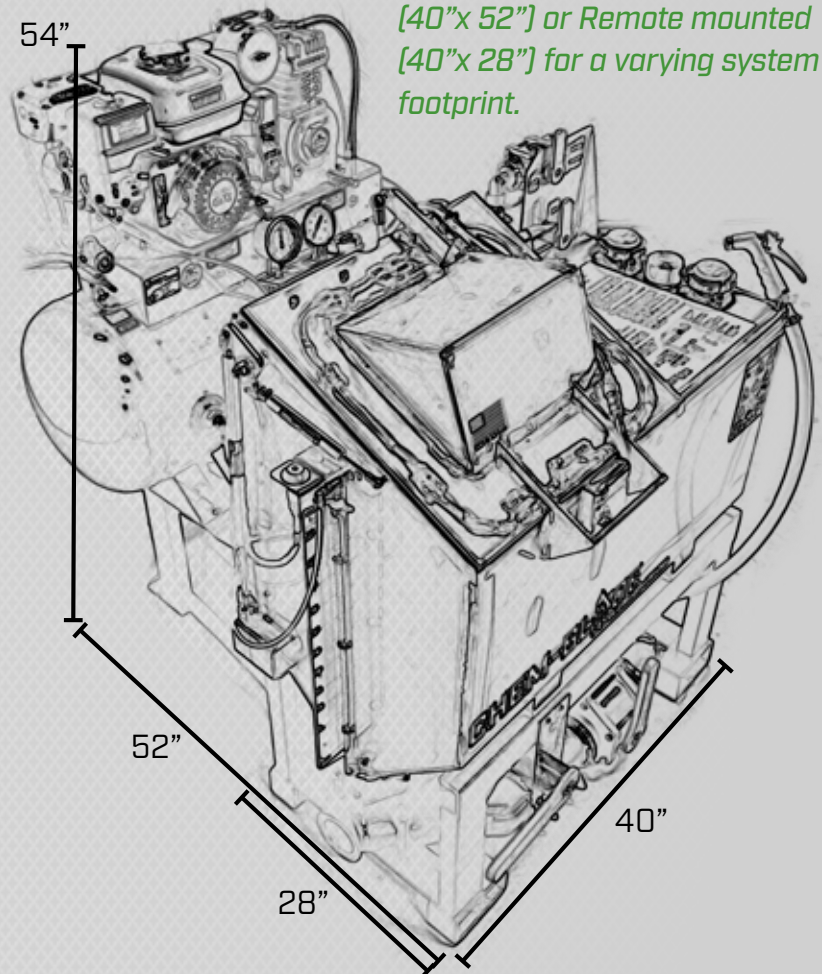


Inside the Tank



- ▲ Our industrial rinse nozzle allows an extremely fast and thorough cleaning action.
- ▲ Sharp powerful blades cut containers open with ease.

**The air supply can be Integrated [40"x 52"] or Remote mounted [40"x 28"] for a varying system footprint.*



Lower Tank

- ▲ 3" or 2" venturi plumbing options available.
- ▲ Non-venturi/2" suction models available (High-output fresh rinse source required).
- ▲ Ergonomic Induction ON/OFF valve easily engaged with your foot.
- ▲ Isolated rubber tank pads to keep truck or trailer vibrations out of the system.
- ▲ The **Chem-Blade** stand has Rhino Lining protective coating for corrosion resistance.

CHEM-BLADE[®]

"More Time Saved; More Acres Sprayed"



Learn how the expanding **Chem-Blade** product line can improve your spray operation's speed and safety at www.chem-blade.com

Proudly Distributed by:

Manufactured by:



525 NW 20th Ave
Kingman, KS 67068
620-491-0461
www.chem-blade.com



printed on recycled paper