



Owner's Manual

SAFETY INSTRUCTIONS



DUE TO RISK OF SEVERE PERSONAL INJURY, DO NOT INSTALL THIS EQUIPMENT UNTIL YOU HAVE COMPLETELY READ AND FULLY UNDERSTAND HOW TO FOLLOW ALL OF THESE WARNINGS AND INSTRUCTIONS.

- ⚠ HIGH PRESSURE WATER USED WITH CHEMICALS POSES A RISK OF SPLASH WITH CHEMICAL RESIDUE. ALWAYS WEAR SAFETY GLASSES TO REDUCE THE RISK THAT WATER AND CHEMICAL COULD COME IN CONTACT WITH YOUR EYES. DO NOT EXCEED 60 PSI OF RINSE PRESSURE.
- ⚠ THE PROVIDED CONTAINER MAY CONTAIN CHEMICAL RESIDUE FROM USE. ALWAYS USE PERSONAL PROTECTIVE EQUIPMENT WHICH MAY INCLUDE BUT NOT BE LIMITED TO CHEMICAL PROTECTIVE GLOVES, EYE PROTECTION, PROTECTIVE FOOTWEAR AND CLOTHING AND NIOSH APPROVED RESPIRATORY PROTECTION BEFORE HANDLING THE BULK BLASTER OR CONTAINER.
- ⚠ NEVER OPERATE THE RINSE HEAD WITH THE TANK LID OPEN TO AVOID THE SPRAY OF WATER OR CHEMICAL OUT OF THE TANK, OR EXPOSE THE OPERATOR TO RESIDUE ON THE RINSE NOZZLE.

For Technical Assistance Please Call:

SurePoint Ag
785-626-3670
9904 KS-25
Atwood, KS 67730

Installation Instructions


1. Remove the 6” lid from the IBC chemical storage container and set aside.
2. Replace the factory lid with the Bulk Blaster™ and tighten.
3. Connect water source to the Bulk Blaster™, 30-60psi is recommended for optimal performance. A 1” female cam lever fitting and plug are provided for quick disconnect and removal.
4. For use with the SurePoint QuickDraw^{MAX} 3000, use hose kit number 610-04-200100. Connect the 1” male cam lever fitting from the hose kit to the female cam lever fitting on the BulkBlaster™.
- 5.

Steps of Operation

For easiest disposal of rinsate, operate the Bulk Blaster™ on site of application during loading and mixing. This will allow contaminated rinsate to be transferred directly into machine for use in field. If rinsing containers after application is complete, please follow chemical/product label for disposal of rinsate.

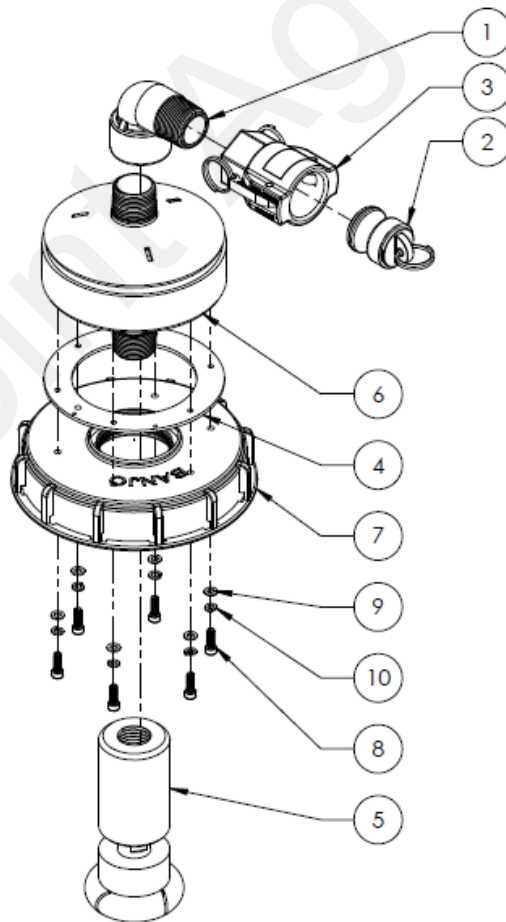
1. Open the rinse valve or start the flow of pressurized water (30-60psi) to the BulkBlaster™.
2. Depending on viscosity and age of product, run the BulkBlaster™ with high pressure rinse for periods of 30 seconds followed by suction/evacuation of product until chemical storage container is adequately cleaned.
3. Remove the BulkBlaster™ and re-install the factory lid. Place the BulkBlaster™ back into plastic case when not in use to limit the amount of dirt exposure so the nozzle will continue to rotate freely.
- 4.

Troubleshooting

- **Recommended operating pressure for rinsing system 30–60 PSI (2–4 bar).**
- If the Teflon Rinse Head does NOT rotate and/or rinse the containers/tank properly the nozzle can be easily disassembled into 5 pieces. Disassemble and remove the obstruction preventing the nozzle from rotating, then reassemble.  Wear personal protection equipment while handling the nozzle.
- Due to the large openings in the rinse nozzle, a strainer is not required. However, if source water appears to be causing a problem, use a 20 mesh strainer upstream of the Bulk Blaster™.

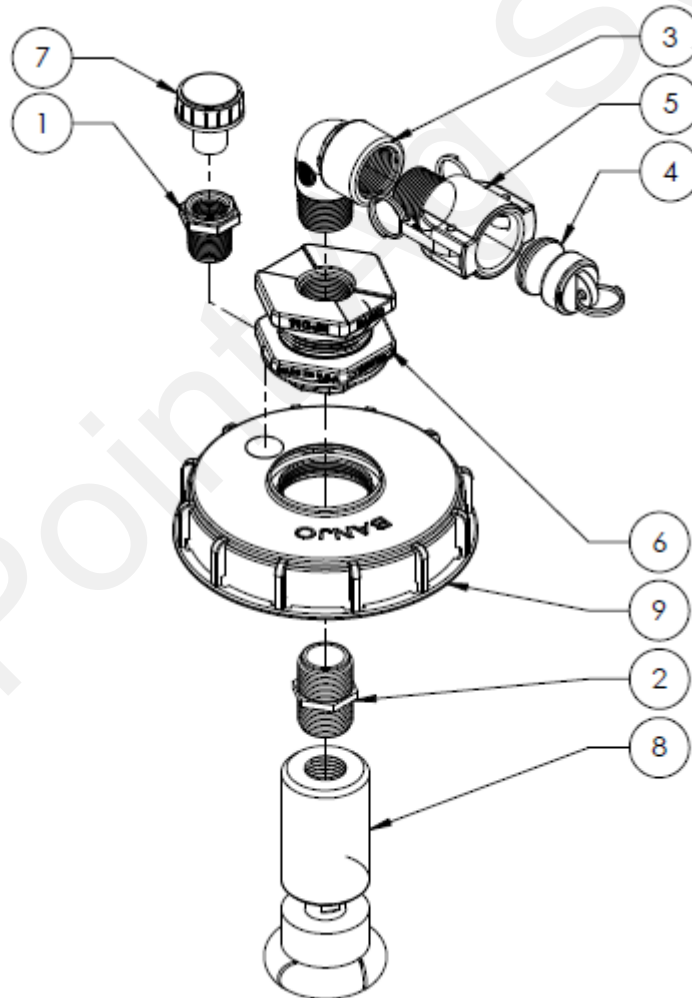
Replacement Parts – Stainless Steel Breather

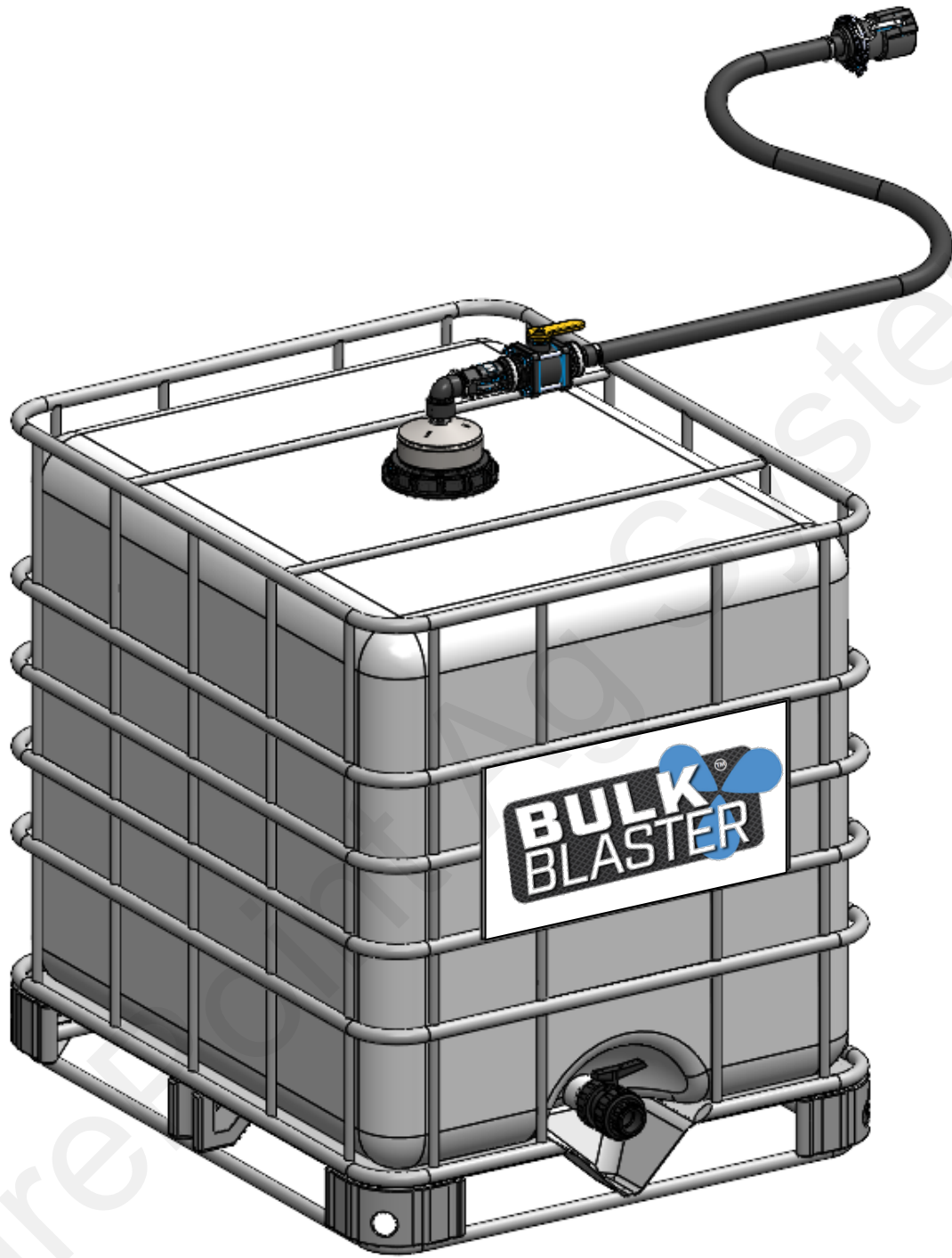
ITEM NO.	PART NUMBER	DESCRIPTION	QTY
1	100-100100SL-90	1" Street Elbow - 90 Degree	1
2	106-100125PL	1" Plug (Fits 1" & 1-1/4" Female Coupler)	1
3	106-100D	1" Female Coupler x 1" FPT	1
4	385-EFTS16070	EasyFlow Tank Seal Gasket	1
5	385-HWP32	1" BETE HydroWhirl Tank Rinse Nozzle	1
6	477-4460Y1-SS	Bulk Blaster Stainless Steel Breather Weldment (Upper)	1
7	727-31-DPC4009BE	6" Tank Lid with 2" Plug	1
8	757-90128A244	5mm x 0.8mm x 16mm Socket Button Head/Zinc	6
9	757-91166A240	5mm Flat Washer	6
10	757-91202A230	5mm Lock Washer	6
11	757-30345T513	Stainless Steel Loop-to-Loop Lanyard - 6" long	1
12	385-050	Orange Case for Bulk Blaster	1
13	398-30-BB001	Bulk Blaster Container Decal	1
14	398-30-BB002	Bulk Blaster Container Warning Decal	1
15	398-30-BB003	Bulk Blaster Decal	1



Replacement Parts – ½” MPT Breather

ITEM NO.	PART NUMBER	DESCRIPTION	QTY
1	100-075050RB	¾” MPT x ½” FPT Reducer Bushing	1
2	100-100NIP-SH	1” Short Nipple	1
3	100-100100SL-90	1” Street Elbow - 90 Degree	1
4	106-100125PL	1” Plug (Fits 1” & 1-1/4” Female Coupler)	1
5	106-100B	1” Female Coupler x 1” MPT	1
6	108-TF100	1” Tank Bung	1
7	385-ASNY8	Lenz Breather – ½” NPT	1
8	385-HWP32	1” BETE HydroWhirl Tank Rinse Nozzle	6
9	727-31-DPC4009BE	6” Tank Lid with 2” Plug	6
10	757-30345T513	Stainless Steel Loop-to-Loop Lanyard - 6” long	1
11	385-050	Orange Case for Bulk Blaster	1
12	398-30-BB001	Bulk Blaster Container Decal	1
13	398-30-BB002	Bulk Blaster Container Warning Decal	1
14	398-30-BB003	Bulk Blaster Decal	1





If you have any issues with installation or operation give us a call at 785-626-3670.

Thanks for purchasing our product.